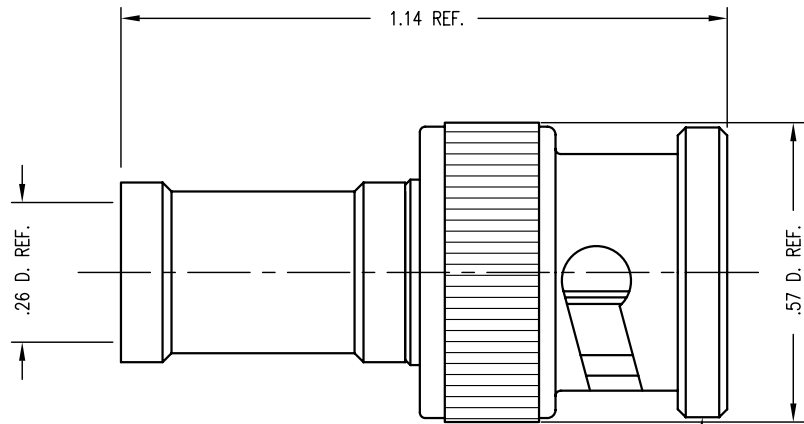


DASH NO.	M CODE	MADE FROM
----------	--------	-----------



STAMP: KINGS KC-59-232
YRWK (DATE CODE)

NOTES:

- FOR USE WITH RG-59, 62 & 210/U CABLES.
- FOR CABLING INSTRUCTIONS SEE CP-401.
- FOR CRIMPING USE DIE KTH-2062.
- INTERFACE PER MIL-STD-348, FIG. 301-1.
- CENTER CONTACT TO BE SUPPLIED UNASSEMBLED.
- MATERIALS:
 - INSULATOR-TEFLON, ASTM-D-1457
 - GASKET-SILICONE RUBBER, ZZ-R-765
 - K-GRIP SLEEVE-COMMERCIAL BRONZE, ALLOY 220
 - SPRING WASHER } BER. COP., ASTM-B-196
 - OUTER CONTACT } BER. COP., ASTM-B-196
 - ALL OTHER METAL PARTS-BRASS, ASTM-B16
- FINISHES:
 - SPRING WASHER-SILVER PLATE PER QQ-S-365
 - CENTER CONTACT-GOLD PLATE PER MIL-G-45204
 - ALL OTHER METAL PARTS-KINGS TARNISH RESISTANT FINISH (TR-5)
- ELECTRIAL CHARACTERISTICS:
 - NOMINAL IMPENDANCE-50 OHMS
 - WORKING VOLTAGE-500 VRMS
 - FREQUENCY RANGE-DC TO 4 GHZ

REVISIONS

ISSUE	CHANGES
6	CN 33552 C REDRAWN JCA 11/22/91
7	CN 36876 D MJB 03/22/96
8	CN 37798 E TML 03/18/99
K	REVISED PER ER21926 GGR 02/16/2010

KC-59-232

JCA2236

CUSTOMER SALES DRAWING

SCALE 4:1

APPROX SURFACE AREA

USED ON

REF:

PLUG, BNC

DRAWN	JCA	DATE	11/22/91
DESIGN	KAM	DATE	11/25/91
APPR.		DATE	



Winchester Electronics
82 Barnes Industrial
Road North
Wallingford, CT 06492

KC-59-232